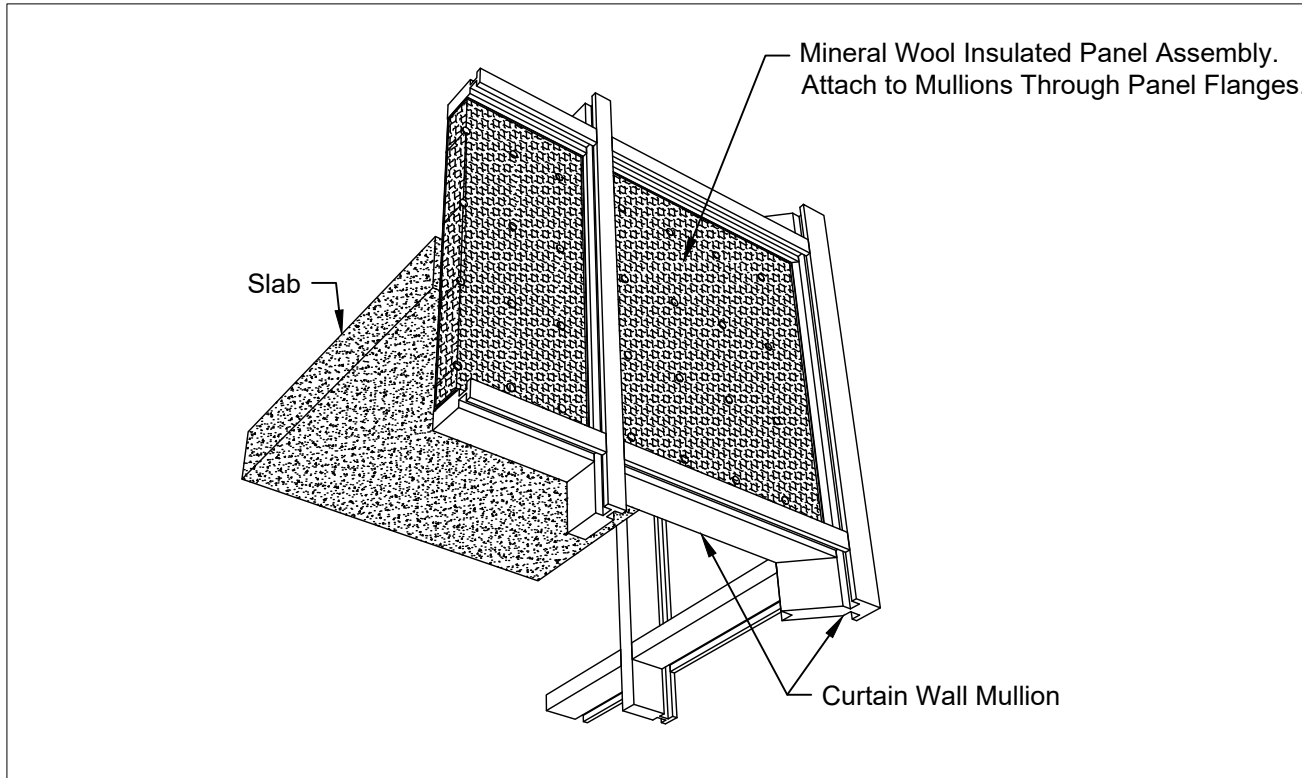





Metals Distribution, Finishing and Fabrication

**Insulated Spandrel Pans
InsulSAF M5000**



M5000 Features And Information

System	Spandrel Pan with mineral wool insulation
Thermal Performance	4.3 "R" value per inch of thickness
Fire Performance	Fire Resistant to temperatures above 2,000°F
Underlayment	Moisture, Mold, and Mildew Resistant
System Depth	Provides Acoustical Noise Dampening
Tested Certifications	Qualifies for LEED Green Building Credits
	Minimum 70% Recycled Content
Installation	Arrives ready for installation using standard mechanical fasteners.

Customer:	Project:	 www.saf.com
Address:	Location:	
Phone / Fax:	Architect:	

Product Support:

Southern Aluminum Finishing
1581 Huber Street, N.W.
Atlanta, GA 30318
Telephone 404-355-1560
Toll-free 800-241-7429
Fax 404-350-0581

SAF Metal Fabrication
14100 Veterans Memorial Hwy
Villa Rica, GA 30180
Telephone 770-942-1207
Toll-free 800-241-7429
Fax 770-942-4173

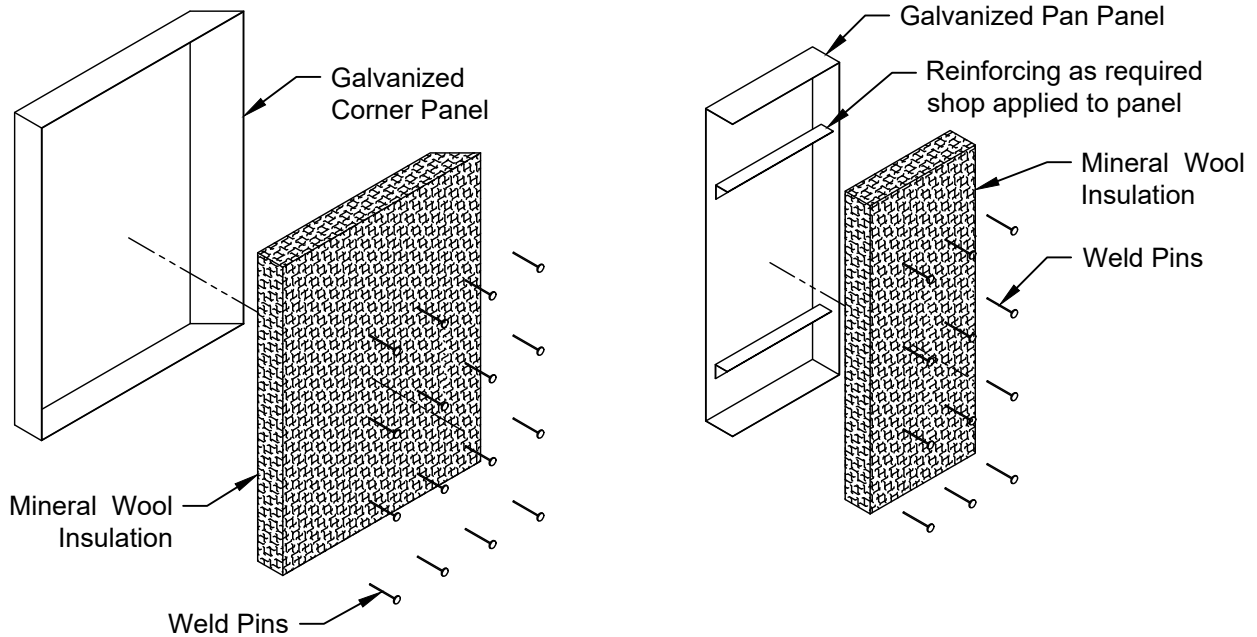
SAF-Midwest
5302 West 78th Street
Indianapolis, IN 46268
Telephone 317-556-1890
Toll Free 800-357-9016
Fax 317-542-3031

SAF-West
4356 Caterpillar Road
Redding, California 96003
Telephone 530-244-7518
Fax 530-244-7830



Metals Distribution, Finishing and Fabrication

**Insulated Spandrel Pans
InsulSAF M5000**



Material Thickness:

- 22-Gauge Galvanized Steel
- $\frac{1}{8}$ " Sheet Aluminum
- 3003 Standard (Painted)
- 5005 Anodize Quality

Base Material Sizing:

Standard:

- 48 in x 120 in
- 60 in x 120 in
- 60 in x 144 in

Customs Sizes also available.

System Depth:

FireSpan 40: 2 in - 7 in
FireSpan 90: 1 in - 7 in
Custom Systems Available.

Stiffeners:

ASTM A-36 22-Gauge Galvanized Steel

Performance Testing*:

ASTM C 665 Type I, III (Class A, Category 1)
ASTM E 136 Non-combustible as defined per NFPA Standard 220
ASTM E 96 50 Perms as tested
ASTM C 356 Linear Shrinkage <2% at 1200°F

ASTM C 612 Type IA, IB, II, III IVA
CAN/ULC S1114 Complies
ASTM C 1104 Sorption less than 1% by volume
ASTM C 356 Flame Spread 0, Smoke Developed 0

Product Support:

Southern Aluminum Finishing
1581 Huber Street, N.W.
Atlanta, GA 30318
Telephone 404-355-1560
Toll-free 800-241-7429
Fax 404-350-0581

SAF Metal Fabrication
14100 Veterans Memorial Hwy
Villa Rica, GA 30180
Telephone 770-942-1207
Toll-free 800-241-7429
Fax 770-942-4173

SAF-Midwest
5302 West 78th Street
Indianapolis, IN 46268
Telephone 317-556-1890
Toll Free 800-357-9016
Fax 317-542-3031

SAF-West
4356 Caterpillar Road
Redding, California 96003
Telephone 530-244-7518
Fax 530-244-7830

*For Thermalfiber FireSpan Insulation